

INSTALLATION INSTRUCTIONS for Replacement Ice Maker 4317943CM

4020144

This Kit Contains:

- Ice Maker
- Wire Harnesses
- Ice Stripper
- Set of Hardware
- Instruction Sheet

For Best Service

- Ensure freezer is set to 10° F. Ice Maker won't add water or cycle until it is 10° F
- Water pressure must be within 15psi to 125psi
- To ensure even sized cubes, ensure the ice maker is installed level
- Throw away the first 2 or 3 trays of ice, this will make sure that any stagnant water from the water lines is clear.



Disconnect power before servicing. Failure to do so can result in death or electrical shock.

IMPORTANT

If you are not replacing an existing Ice Maker, you need a different installation kit. Please see your dealer for the correct kit.

Instructions

1. Remove defective ice maker from the freezer. Unplug Harness, check existing harness to this kit to make sure you have the correct wiring harness. The Ice maker may have two upper screws and one lower mounting screw or two mounting clips with one lower mounting screw. If you do not have the correct harness, you will need a different ice maker kit. Please contact your dealer for the correct ice maker. See Figure 1

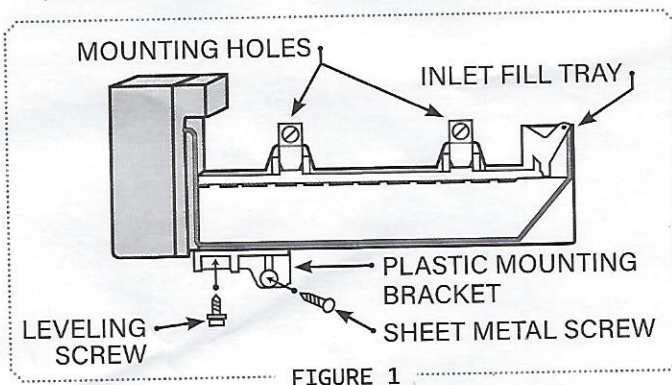


FIGURE 1

5. Check position of water inlet fill tube, and align it with fill tray. Using a sharp knife remove the prescored cutout that matches your old ice maker.
6. Make sure that the shut off arm is in the down position. (*Down to make ice, up and locked to shut off ice maker*)
7. Raise and lower arm to make sure the ice bin or auger bucket does not interfere with the motion of the arm. *The shut off arm may be reshaped if necessary, as illustrated in Figure 2, or remove shut off arm from old ice maker and install on the new ice maker.*

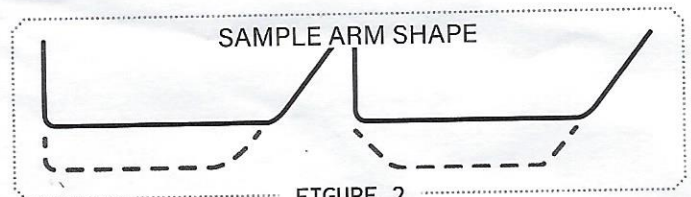


FIGURE 2

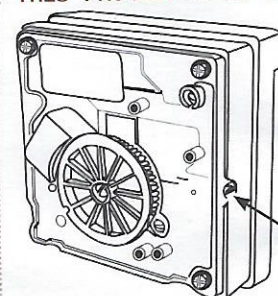
8. Reconnect power and turn on ice maker by lowering sensor arm.
9. Allow ice maker to cycle for 24 hours. Discarding any ice made in that day.

2. If the existing ice maker has a mounting plate, save the old plate and hardware for reuse.

NOTE: Mounting plates vary by brand and model.

3. Plug in existing cable to ice maker head or use the cable provided. Existing harness may be round or flat. Round harness may have spacers.
4. Install replacement ice maker, using old mounting hardware and mounting plate (if required). If old ice maker was mounted on square mounting holes you will need to use the two stainless clips provided.

THIS PROCEDURE IS FOR SERVICE TECHNICIANS ONLY



To remove cover, pull straight forward. When facing the level adjustment screw make a 1/2 turn clockwise to decrease the water flow by 20 cc's. Turning counter-clockwise to increase water flow.

LEVEL ADJUSTMENT SCREW

FIGURE 3