

INSTALLATION & WIRING INSTRUCTIONS for Replacement Motor 279827CM

This Kit Contains:

- Motor Assembly
- 2x 1/8" Female Terminals (Insulated)
- Instruction Sheet

NOTE TO INSTALLER:

The motor in this kit may not be identical to your old motor. If the motor being replaced has the pluggable motor switch (see Figure 4B), replace the motor in the same manner as you removed your failed motor. If the failed motor has the switch where the wire lead from the main harness connects to the motor switch individually, carefully follow the instructions below.



Instructions

1. Remove failed motor using standard motor removal procedures.
2. Compare and note the difference between the failed motor and your new replacement motor. The first thing you will need to compare is the motor pulleys. **The pulley supplied with the replacement motor can be used in most applications.** If the dryer has a 6-rib belt that is too large to fit onto the pulley of the replacement motor, you must either replace the belt with part number 341241 or remove the pulley from the failed motor and mount it to the new motor. There are also two (2) other cases you may want to use the pulley from the failed motor. See Figure 1 for these two cases

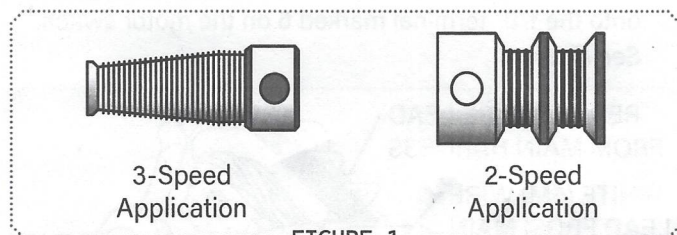


FIGURE 1

NOTE: If you choose not to reuse your pulley from the failed motor as shown in Figure 1, you will lose the 2-speed or 3-speed option

3. If you choose to use the pulley supplied with the new motor, you may skip to step 8. Otherwise proceed to step 4.
4. Remove the pulley from the replacement (new) motor by using two (2) open end or adjustable wrenches. Place one on the motor shaft, right behind the pulley, and the other on the pulley. Holding the motor shaft in place with one (1) wrench, turn the pulley with

the other wrench in a counterclockwise direction to remove the pulley. See Figure 2

5. Remove belt restrainer from failed motor, if used. See Figure 2

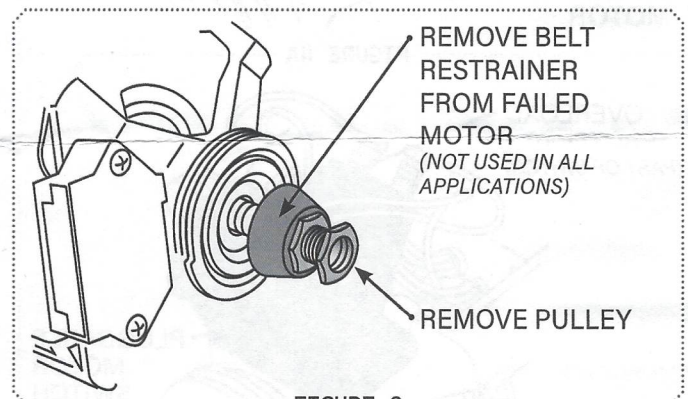


FIGURE 2

6. From the switch end of the replacement motor, cut the threaded portion of the motor shaft off using a hacksaw. See Figure 3

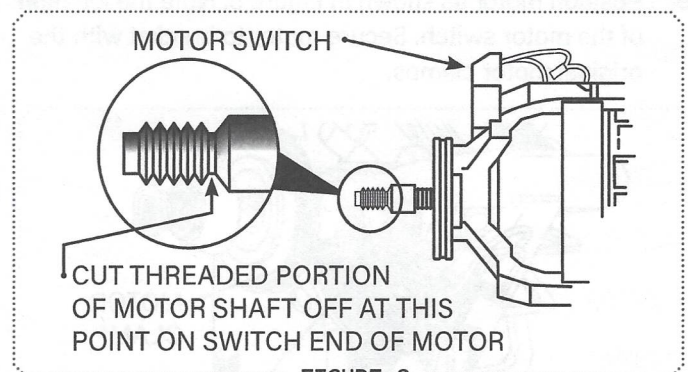
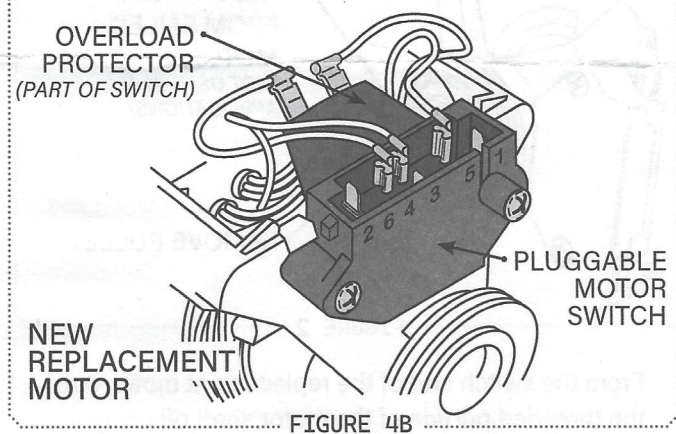
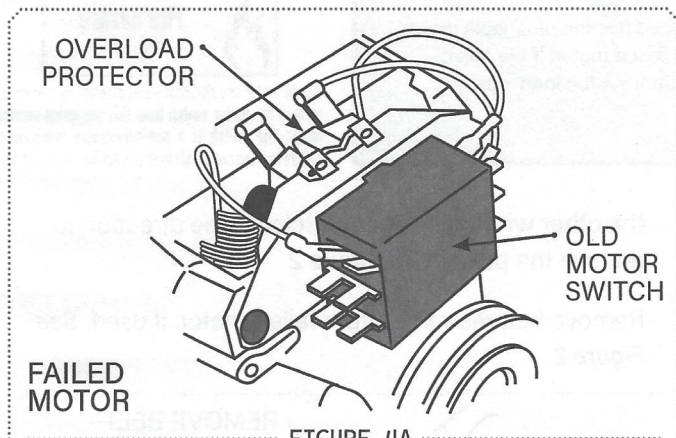


FIGURE 3

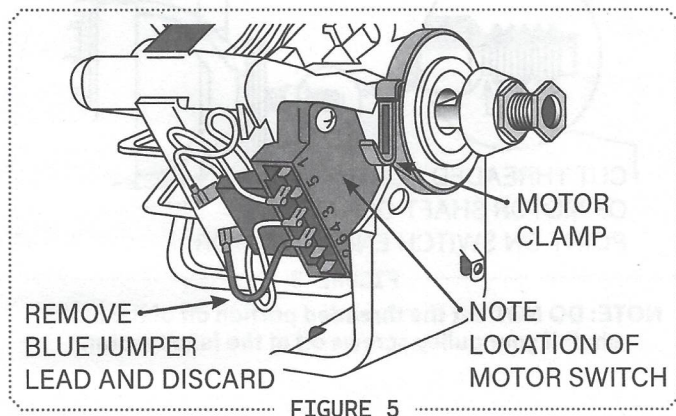
NOTE: DO NOT cut the threaded portion off of the motor shaft if your pulley screws off of the failed motor.

7. With an allen wrench, remove the pulley from the failed motor and reinstall it on the new replacement motor. Be sure to push pulley onto the motor shaft all the way and tighten the setscrew securely in place.
8. Compare and note the difference between the motor switch of the failed motor and the switch of the new replacement motor. If the switches are the same, simply install the motor in the reverse order you removed the failed motor.
See Figures 4A & 4B. If not proceed to step 9

NOTE: Overload protector is part of the pluggable switch on the replacement motor and separate on the old motor switch.



9. Position motor as shown in Figure 5. Note the location of the motor switch. Secure motor to bracket with the original motor clamps.



Wiring Instructions

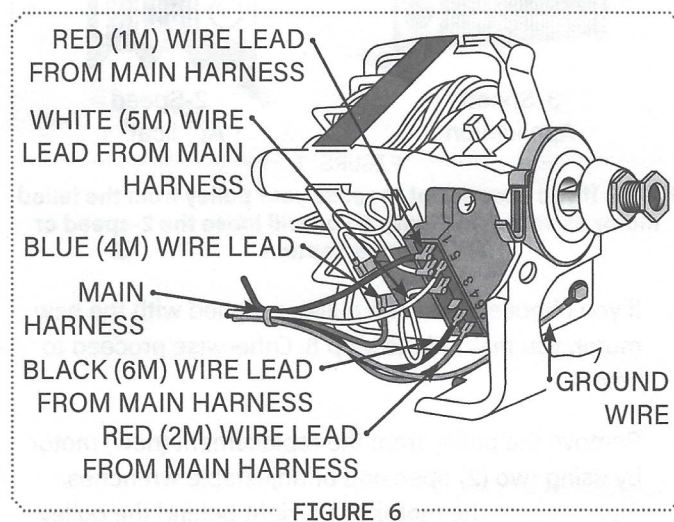
10. Disconnect and remove the blue jumper wire that runs from the motor switch to the overload and discard. See Figure 5
11. Connect the blue (4M) wire from main harness to the vacant terminal on the overload protector that you remove the jumper wire from in step 10. See Figure 6
12. Connect the red (1M) wire lead from main harness to the 1/4" terminal marked 1 on the motor switch. See Figure 6
13. Connect the red (2M) wire lead from main harness to the 1/4" terminal marked 2 on the motor switch. See Figure 6
14. To connect the black (6M) wire lead from main harness and the white (5M) wire lead from main harness to the motor switch, you must replace the 1/4" female terminals with the 1/8" insulated female terminals included with the replacement motor.

NOTE: If your unit does not have a black (6M) wire lead, disregard any instructions referring to the black (6M) wire.

15. Cut the 1/4" female terminal from the black (6M) and white (5M) wire leads from main harness as close to the terminal as possible with wire cutters.
16. Strip wires back approximately 1/4".
17. With barrel crimpers, crimp 1/8" insulated female terminals, included with motor, onto the wire leads.

NOTE: Make sure terminals are crimped securely in place.

18. Connect the white (5M) wire lead from main harness onto the 1/8" terminal marked 5 on the motor switch. See Figure 6
19. Connect the black (6M) wire lead from main harness onto the 1/8" terminal marked 6 on the motor switch. See Figure 6



20. Reconnect ground wire. See Figure 6
21. All wire lead connections are complete at this point. Finish reassembling dryer.