

INSTALLATION INSTRUCTIONS for Replacement Ice Maker 1129316CM

4020139

This Kit Contains:

- Modular Ice Maker
- Ice Bin
- Water Valve
- Fill Line & Tubes
- Wire Harness
- Set of Hardware
- Instruction Sheet

For Best Service

- Ensure freezer is set to 10° F. Ice Maker won't add water or cycle until it is 10° F
- Water pressure must be within 15psi to 125psi
- To ensure even sized cubes, ensure the ice maker is installed level
- Throw away the first 2 or 3 trays of ice, this will make sure that any stagnant water from the water lines is clear.



Disconnect power before servicing. Failure to do so can result in death or electrical shock.

IMPORTANT

If the wiring harness connectors in this kit do not match your electrical connections, please see your dealer for the correct kit.

Instructions

1. Identify the model style you are adding an ice maker to. See Figure 1

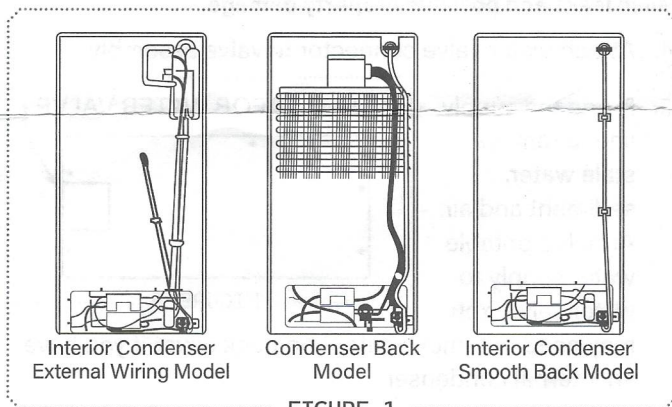


FIGURE 1

2. Interior condenser models are prewired. If your model isn't prewired, contact your dealer for the correct kit. Prewired units have protective plugs and covers over the water and electrical connections. Using a screwdriver or putty knife, gently remove these plugs. See Figure 2. For Condenser Back models use the supplied harness, See Step 9.

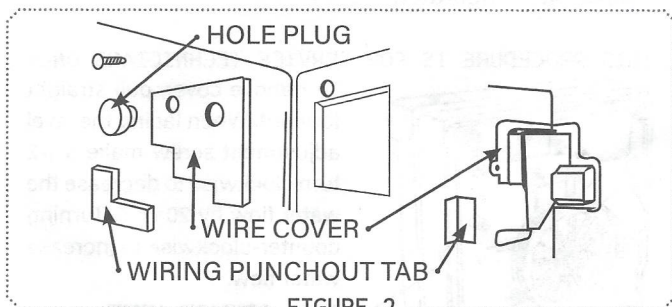


FIGURE 2

3. Typically the electrical harness cover is attached with a 1/4" hex head Phillips™ head screw, remove this cover also. Check the electrical connection in this icemaker to make sure that the connector is the right one for this refrigerator, if not contact your distributor for the correct icemaker.
4. Locate the inlet cover for ice maker installation. The inlet cover may have a plug or label covering the inlet opening. If it is a plug, gently remove the plug with a putty knife or screwdriver. If there is a label, there will be a "cut here" pattern, using a sharp knife to cut as directed on the label.
For external condenser coils, See Figure 3A
For smooth back models, See Figure 3B

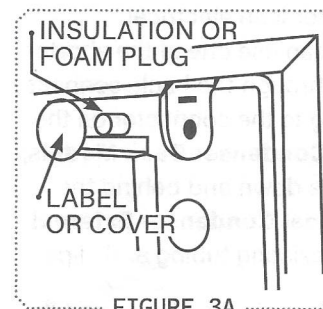


FIGURE 3A

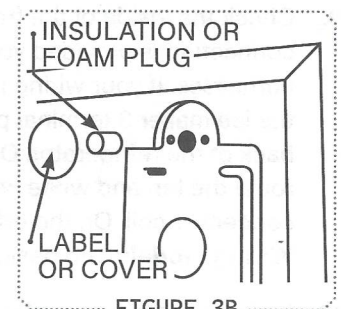


FIGURE 3B

5. Remove the underlying insulation using needle nose pliers. Fold cut label into opening to clear opening. If there is an existing water inlet tube, remove the insulation plug before proceeding.
6. If the condenser coil is interior, you will need to remove the screws that attach the access cover at the bottom

of the unit. While cover is off look to see if you need to cut away the opening for the water inlet valve.

7. If there is not an existing inlet tube. Push water inlet tube through the installation hole in the back of the unit. Using a circular motion as you push through the insulated area between the case and the inner liner, will make this easier.

For external condenser coils, See Figure 4A
For smooth back models, See Figure 4B

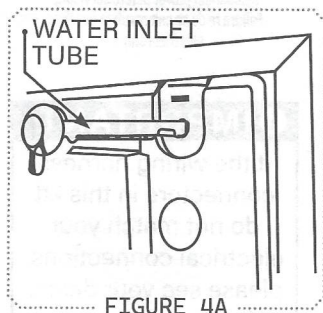


FIGURE 4A

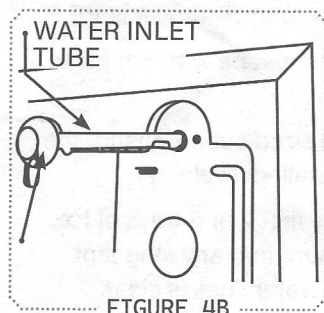


FIGURE 4B

8. Attach stainless steel mounting bracket to the bottom of the ice maker, do not tighten, you will need to adjust this bracket as you mount the ice maker. Start the two long screws into the holes provided along the top left side of the refrigerator. The ice maker will slip over the screws and slide down into position, you will tighten these later. Alternate mounting; slip mounting clips into square mounting holes and push down until clips are firmly mounted.

FOR CONDENSER BACK MODELS ONLY

Wrap foam pad (previously removed from opening), around wiring, to protect from abrasion. If insulation was damaged, wrap with electrical tape to protect the wiring. Typically the smooth back models will have the harness mounted to the inside of the freezer, there are short harnesses for these applications provided in this kit.

9. Check the inside of the freezer if an electrical connection is provided you can use one of the shorter harnesses. If your wiring is through the back, connect the ice maker 3 terminal plug to the connector on the back of the refrigerator. On **Condenser Back Models**, route the tan and white wires down and behind the condenser coil. On the **Internal Condenser External Wiring Models**, run beside existing tubing and clips.
10. Make sure the water inlet tube is in the fill tray and the electrical connection is correct. Insert the provided screw under the ice maker, level the ice maker and tighten all of the screws.
11. Reinstall the freezer shelf in a lower position, slide ice bin under ice maker. Left side of bin should be about even with the bottom of the lower bracket, to allow the ice maker to shutoff before the bin overflows.
12. Attach Fill tubing to inlet fill tube, this is a friction fit and does not require adhesive or a clamp since it is

not under pressure. If you existing inlet fill tube does not make a friction fit with the fill tubing you will need to use the inlet tube provided with this kit. Route the Fill tubing for the icemaker down the back of the refrigerator (behind the condenser coils, if present). There are mounting clips provided.

13. Using factory predrilled mounting holes where possible. Stay away from the coils and compressor when drilling. Attach water valve to the frame. See Figure 5

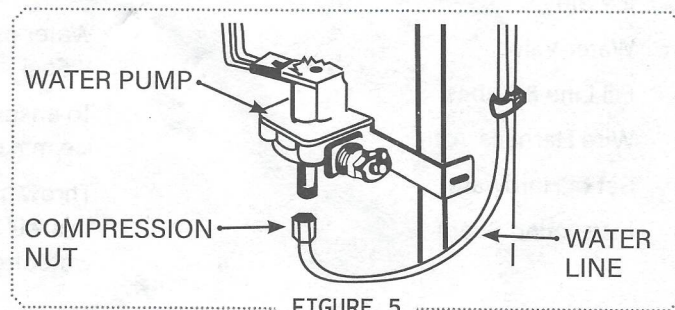


FIGURE 5

TIP: If space is limited attach ice maker fill line to valve before installing. You may need to reposition the eliminator tube on models with an internal condenser. Remember, finger tighten the compression fitting, then tighten with wrench an additional 1/4 to 1/2 turn. DO NOT OVER TIGHTEN, this will cause leaks and possible property damage.

14. Attach water valve connector to valve assembly

15. Purge the supply line to remove stale water, sediment and air. Attach a potable water supply to water valve. You may need to remove cutout on back cover if you have an internal condenser.

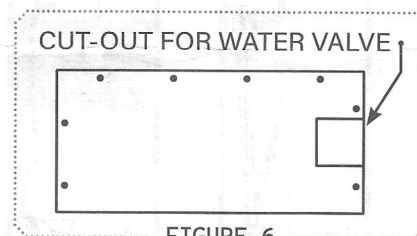


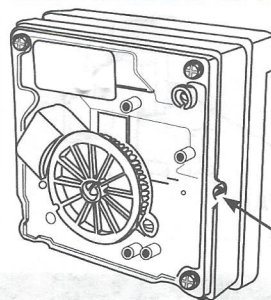
FIGURE 6

16. Install the water supply using the instructions provided with the water supply line kit.

TIP: If you have an existing supply line, now is a good time to replace it, so examine the copper or plastic thoroughly to determine if it needs replacing. Look for wear marks, brittleness, fatigue lines, or damage.

17. Turn on water supply and check for leaks. Re-connect power to refrigerator.

THIS PROCEDURE IS FOR SERVICE TECHNICIANS ONLY



To remove cover, pull straight forward. When facing the level adjustment screw make a 1/2 turn clockwise to decrease the water flow by 20 cc's. Turning counter-clockwise to increase water flow.

LEVEL ADJUSTMENT SCREW

FIGURE 7