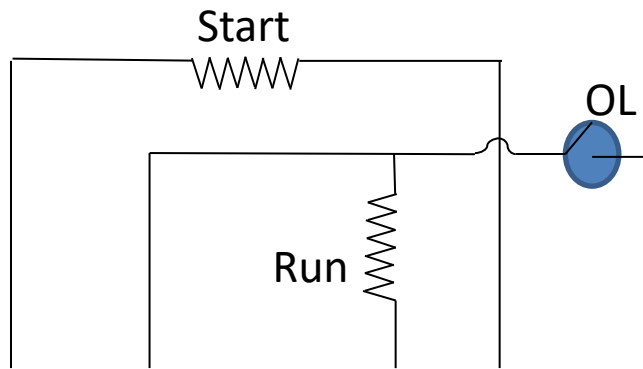


**Disconnect power before repair. This repair should be made by a qualified Service Technician.**

**Wiring instructions – This single speed motor is designed to replace earlier versions with a different terminal block. The new wire harness supplied with motor will adapt to the machine harness. Most motors with this block will wire directly to the new harness. For models 132 and 132S see the below chart for wiring instructions.**

**When using the harness, place the sleeve over the female connectors on the machine harness. This will protect the connection from moisture and contact.**



New Motor	Black	Blue	Internal switch	Yellow	Red	Gray	Internal switch
New Harness			White	Red	Yellow	Black	Blue
Motor with square block			White	Red	Yellow	Black	Green
132/132S wire harness			Green	Yellow	Red	White	Brown